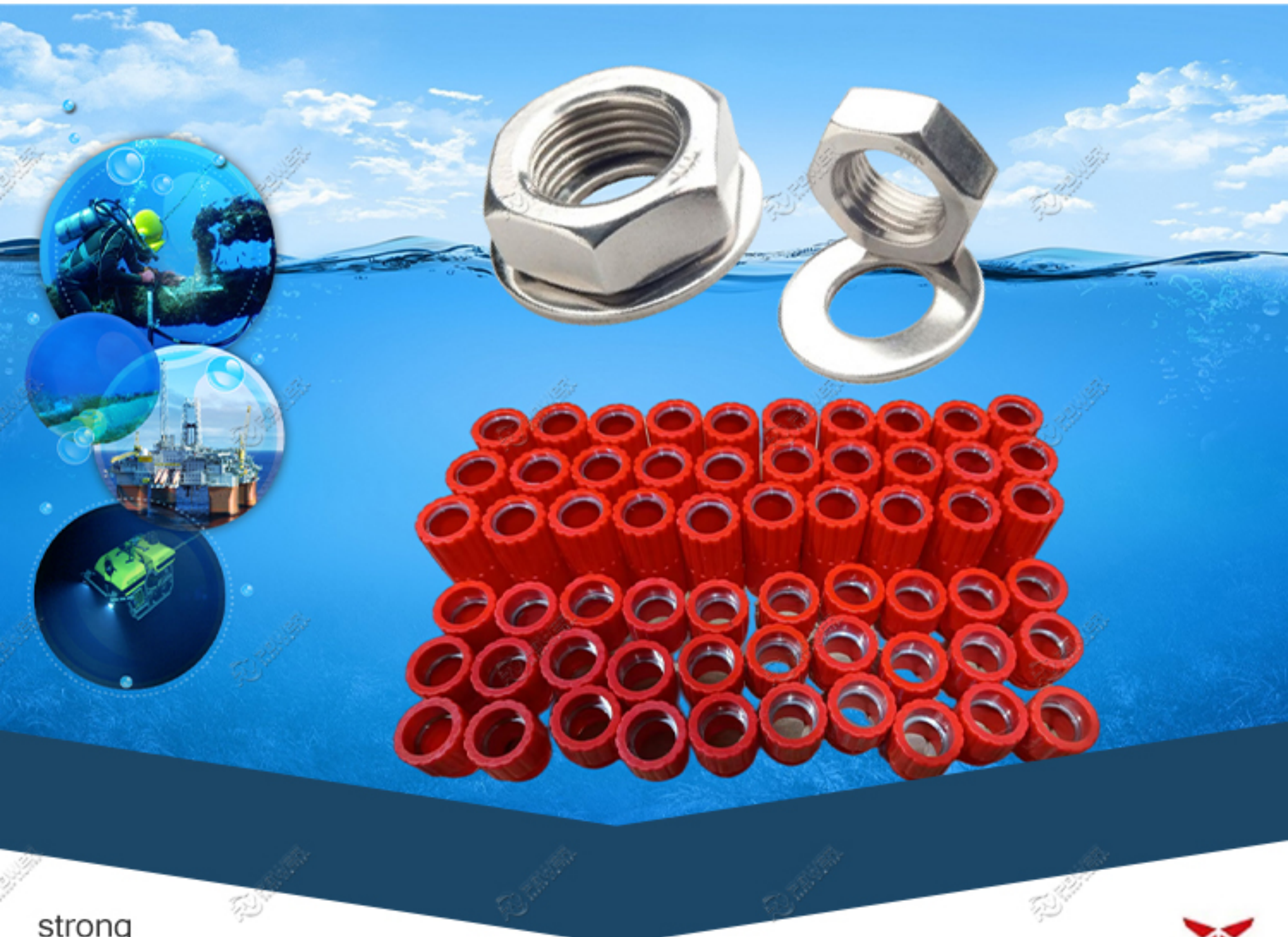




# NUTS AND WASHERS AND LOCKING SLEEVE

**UNDERWATER AND HARSH ENVIRONMENT CONNECTORS**



strong  
x  
durable



# OUR ADVANTAGES



## EASY SOLUTIONS

ADAPTABILITY IS ONE OF OUR BEST QUALITIES IT PERMIT US TO COPE WITH YOUR REQUEST ON A SHORT NOTICE AND EFFECTIVELY.



## NO PRICE FIGHTS

WE ESCAPED THE CLASSICAL "REBATE UNTIL YOU DROP" POLICY. WE ARE PRICE WISE SINCE THE BEGINNING



## HIGH LEVEL EXPERIENCE

OUR TECHNICAL CAPABILITIES HAVE BEEN TESTED FOR MORE THAN 30 YEARS AND IN DIRECT CONNECTION WITH END USERS. SO TO SAY



## ENDLESS INVESTIGATION

WE CONTINUOUSLY MEASURE EVERYTHING TEST, TEST AND TEST AGAIN. THIS HELPS UNDERSTAND RISKS AND REWARDS. AND BE PREPARED



## NO FORTUNE TELLER

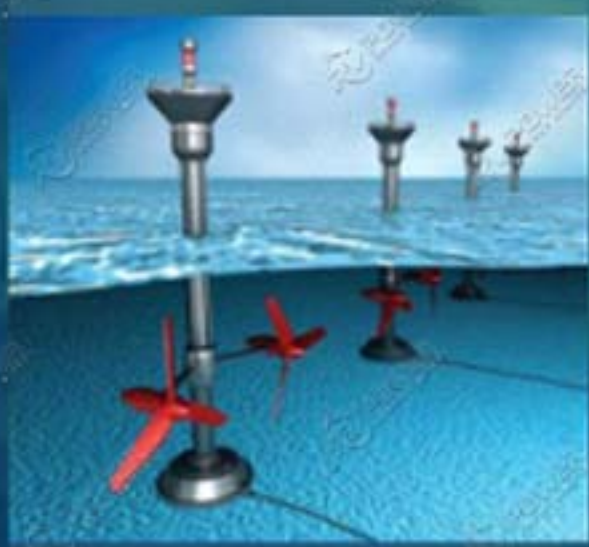
WE BASE OUR DECISIONS ON CLEAR BUSINESS PLANS, THINKING BEFORE MAKING OUR STEPS AND KEEPING A 'NOT TO DO' LIST FOR EVERYONE OF THEM



## TEAM BUILDING

OUR TEAM IS MADE NOT ONLY BY OUR STAFF BUT IT INCLUDES ALSO ALL OUR CUSTOMERS WE ACT LIKE A TEAM WE GROW LIKE A TEAM WE WIN LIKE A TEAM

# APPLICATION



Marine Renewable Energies



Diving



Oil and Gas



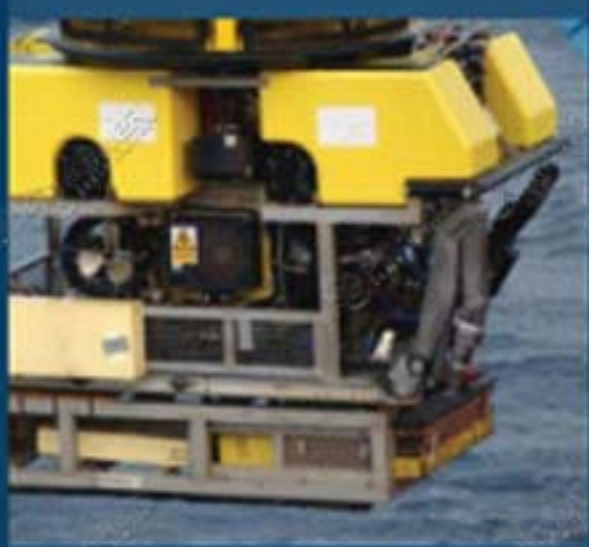
Towed Streamers



Submarines



Water Treatment



ROVs & AUVs



Vessels

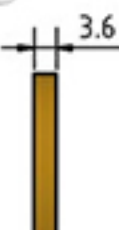
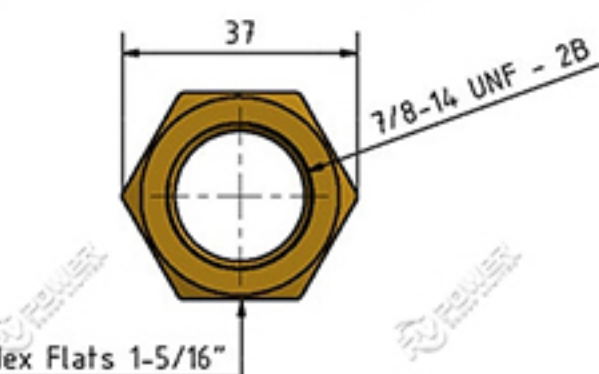
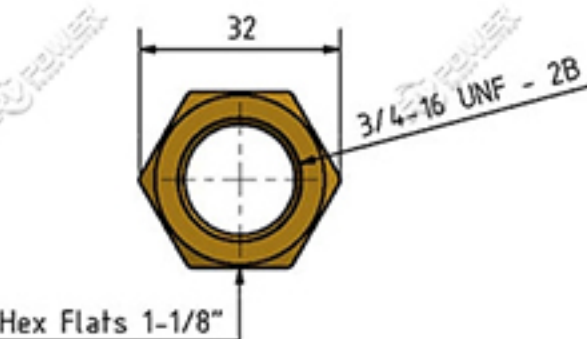
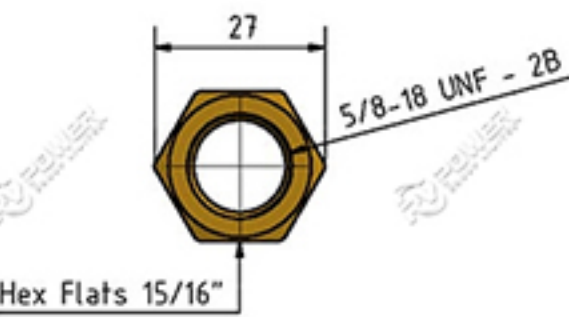
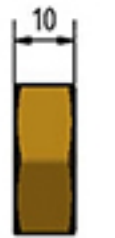
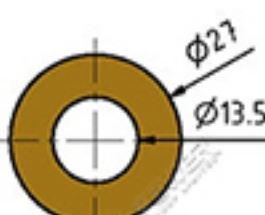
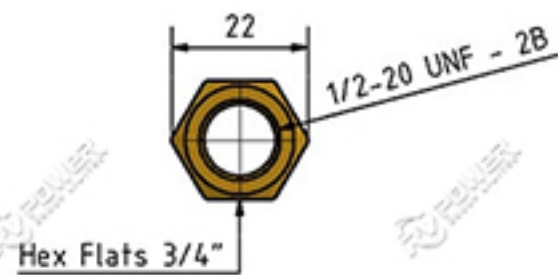
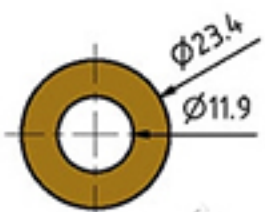
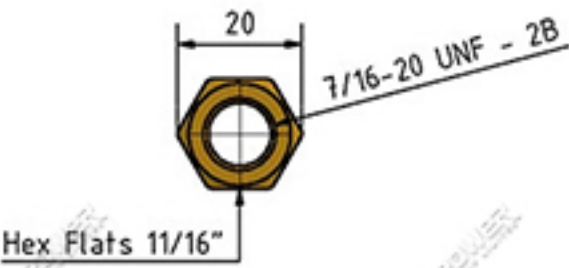
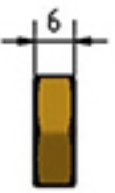
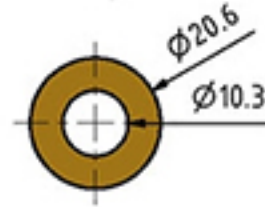
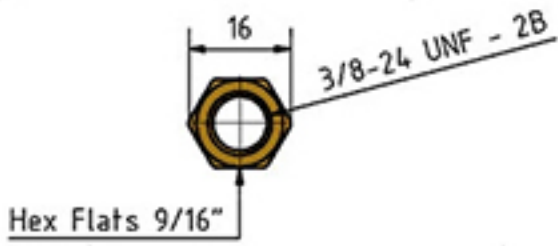
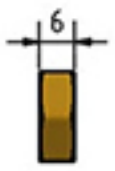


Geophysics

# NUTS AND WASHERS

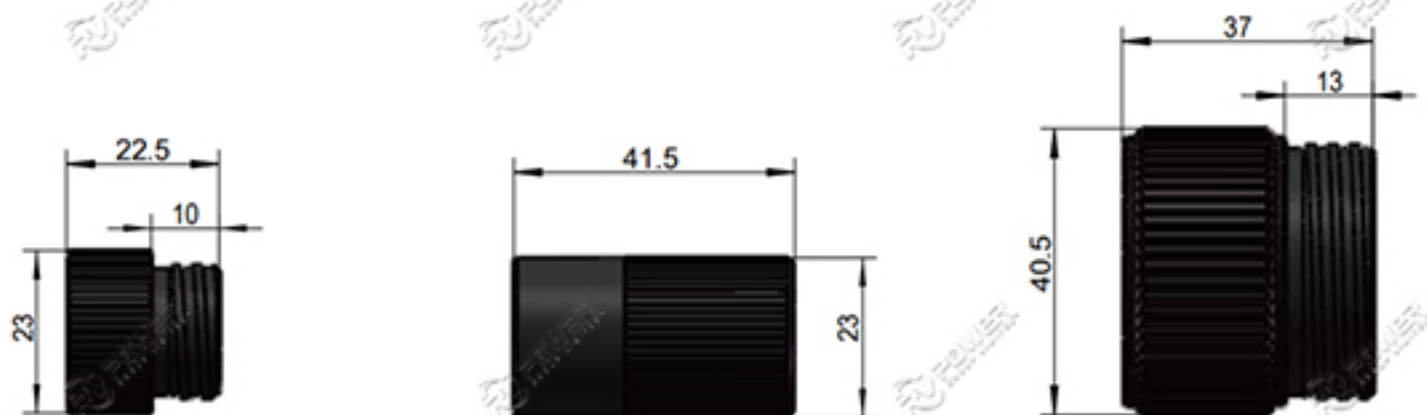
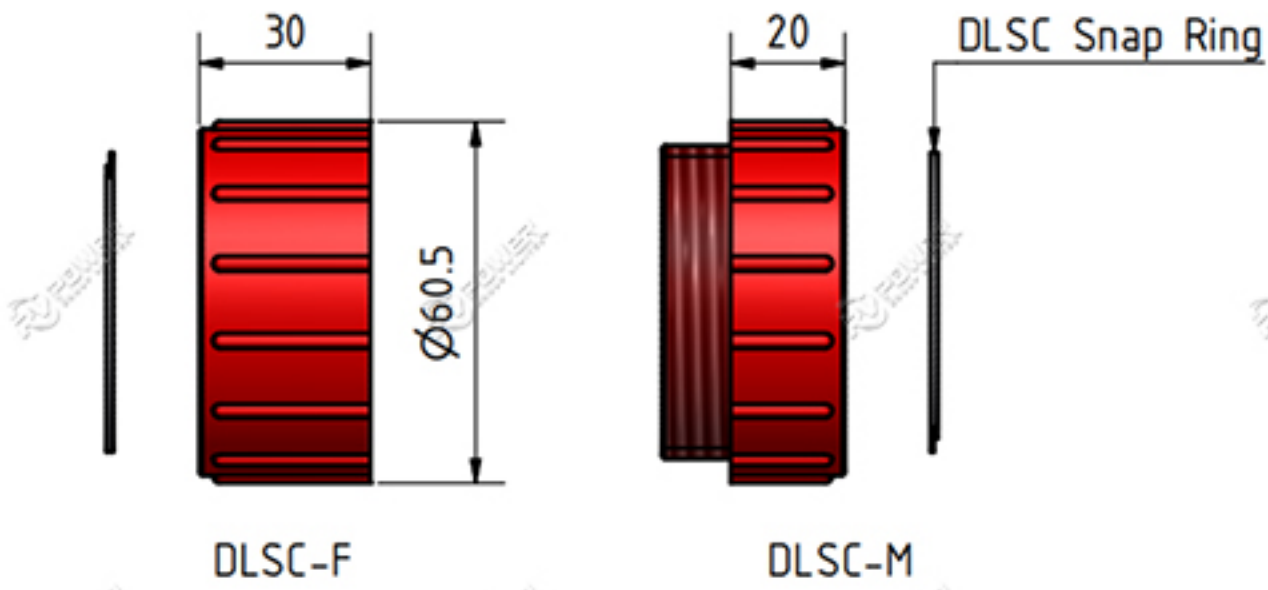
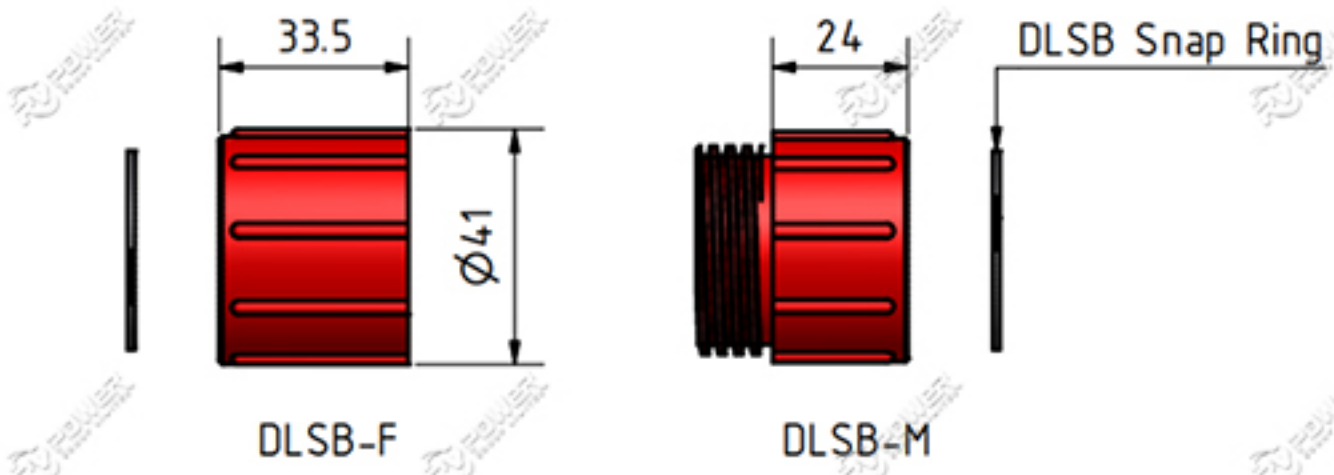
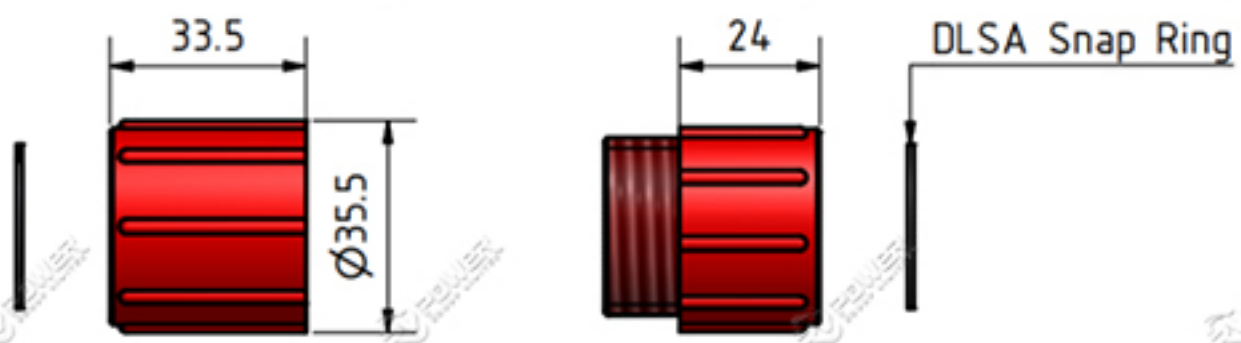
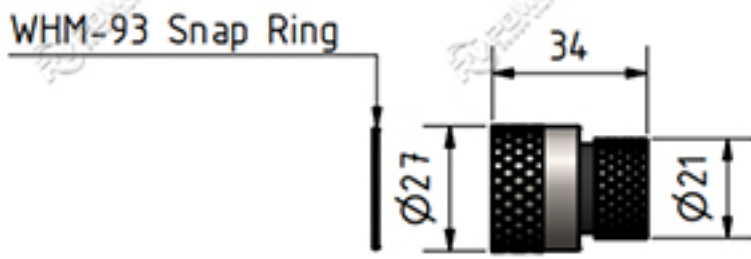
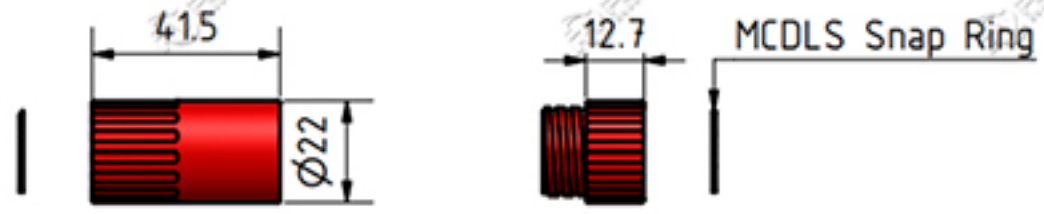
## Nut Size

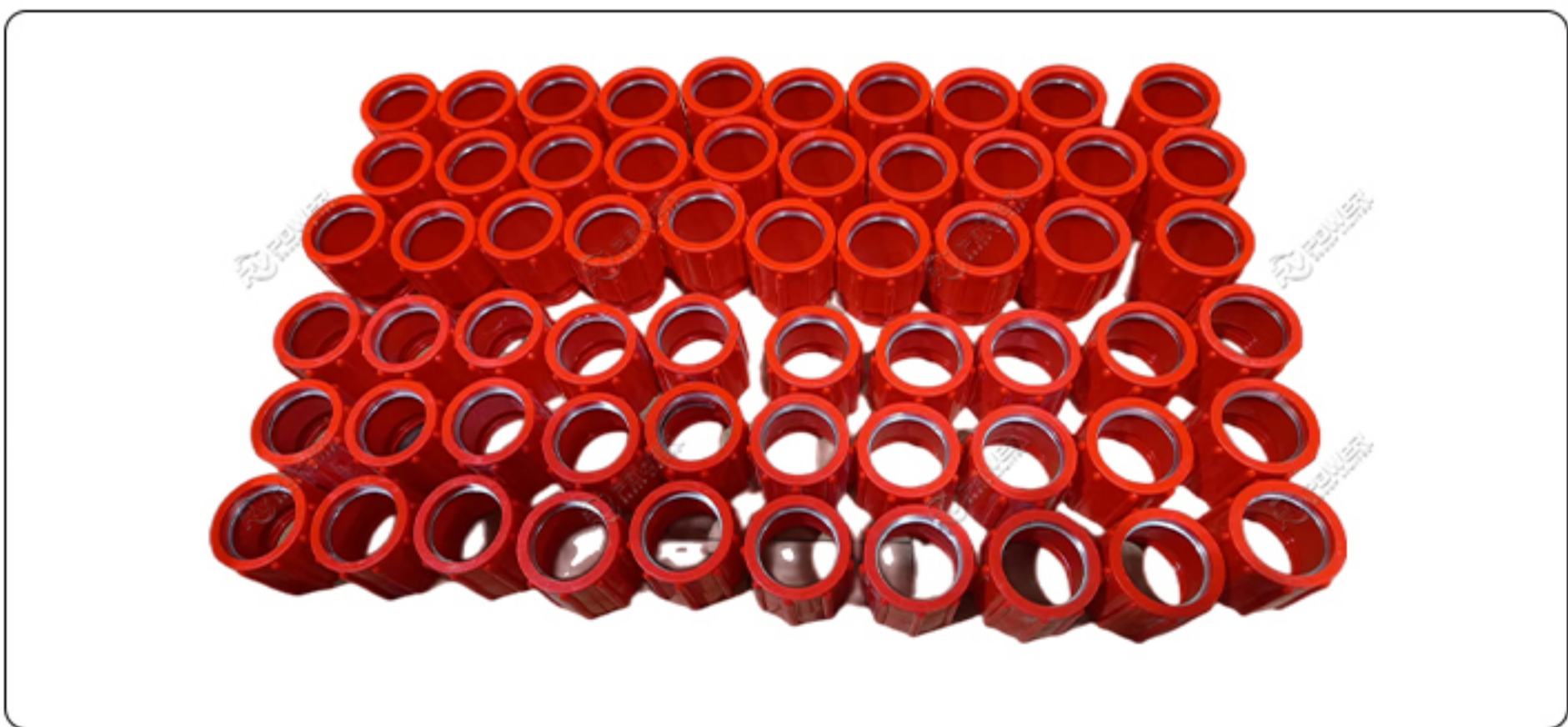
The default nut material is brass, stainless steel or titanium alloy can be customized



# Locking sleeve

Refer to different connectors to select the corresponding model





# SUBSEA CONNECTORS AND SUBSEA CABLES

RV POWER GROUP is a underwater connector factory in China. We are a global supplier focusing on the ocean (marine) solution for underwater connectors and cables. Specializing in the design, manufacture, sales and service. If your project is in the design stage, we can provide engineering assistance with the professional advice. If your requirements are already specified and ready for quote, we will try our best to meet your deadlines and pricing targets and finally deliver the high-quality stable products as you need.

RV POWER GROUP subsea connectors and subsea cables are suitable for oceanographic systems, offshore oil and gas, defense systems, geo-seismic research, diving systems and equipment, ship projects, subsea survey, underwater instruments, mining equipment, underwater monitoring/inspection/observations, underwater data logger, subsea navigator, hydrography equipment, aquaculture farm and services inspection, underwater robotics like remote operation vehicles (ROV's & ROUV's) and autonomous Underwater Vehicles (AUV), and submarines, ship towed sonars and underwater acoustic devices, etc.

With the state-of-the-art technology and professional engineer team, we believe you find the right partner here with excellent service. In case you do not find a suitable solution within our standard range, please do not hesitate to contact us for customization.

# Underwater and harsh environment connectors

Circular Series

Micro Circular Series

Low Profile Series

Micro Low Profile series

Ethernet Series

Optical fiber and Power Series

power series

split series

Aviation plug Series

Coax series

Metal Shell series

RMG Series

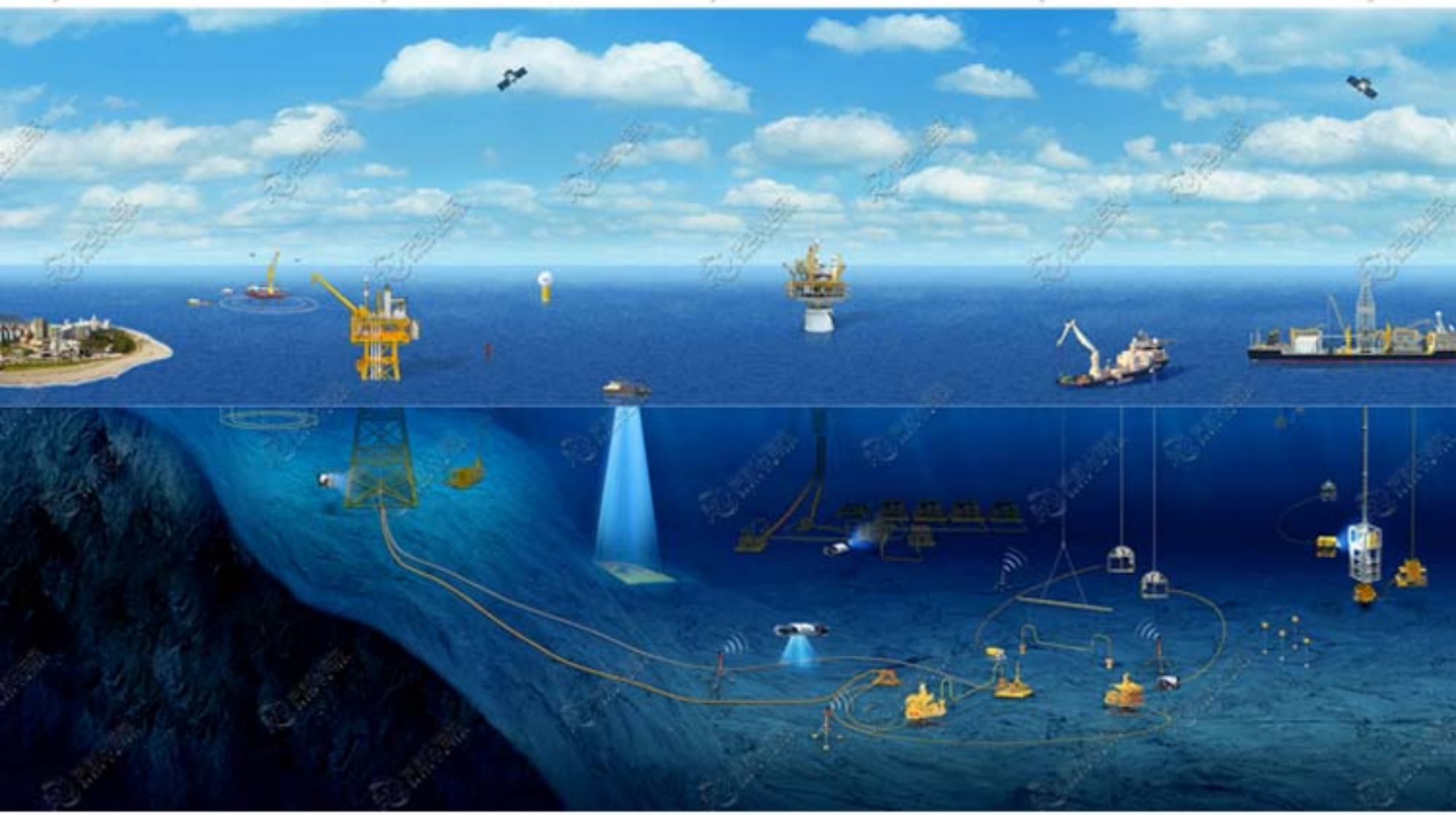
55 Series

Specials Series

Underwater PUR Cable

ROV Tether Cable

Additional accessories



**OVER 20 YEARS**

OF SPECIAL CABLE AND CUSTOM-MADE CABLE / CONNECTORS MANUFACTURING

WE CAN TURN YOUR DESIGN INTO A REAL OBJECT.

# OUR TRANSPORTATION



# THANK YOU

---

FOR YOUR ATTENTION  
LOOK FORWARD TO COOPERATING WITH YOU



[www.subseaconn.com](http://www.subseaconn.com)



[sales@subseaconn.com](mailto:sales@subseaconn.com)



Jackiefanonline88



Tel:+86 18501648956



Whatsapp:+86-18501648956



specialcable